

# ON-200

## Power by Perkins

# 1106A-70TAG4

Prime power: 160KW/200KVA

Standby power: 176KW/220KVA

## GENERATING POWER SOLUTIONS

### Increased availability for new operations

Reliable, robust and versatile generator.  
Ready to deliver power for a next job.

### Increased uptime during operations

Once installed on the end-user-site, the generator will be ready to run: "peace of mind" operation.

### Reduced transport and installation costs

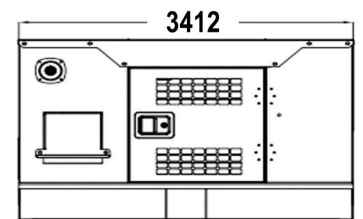
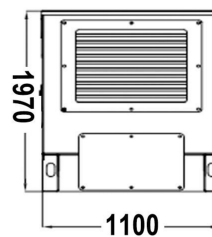
The compact and robust design with integrated transport features enables faster and safer transport and installation.

### Reduced service & maintenance costs

Longer service intervals.  
Quicker and more efficient service jobs.

### Premium resale value

Designed and built to last.



| DIMENSION |            |    | OPEN TYPE | SILENT TYPE |
|-----------|------------|----|-----------|-------------|
|           | Length (L) | mm | 2470      | 3412        |
|           | Width (W)  | mm | 1100      | 1100        |
|           | Height (H) | mm | 1700      | 1970        |
|           | Dry weight | kg | 2250      | 2750        |
|           | Fuel tank  | L  | 360       | 360         |

# ONEWPOWER

[WWW.ONEWPOWER.COM](http://WWW.ONEWPOWER.COM)

## Technical Data

### Model ON-200

|                            |         |         |
|----------------------------|---------|---------|
| Rated prime power          | KW      | 160     |
| Rated standard power       | KW      | 176     |
| Rated voltage line to line | V       | 380~415 |
| Maximun sound level        | dB(@7m) | ≤72     |

### Engine

|                           |                                    |         |
|---------------------------|------------------------------------|---------|
| Model                     | 1106A-70TAG4                       |         |
| Aspiration                | Turbocharged and air charge cooled |         |
| Fuel system               | mechanical pump                    |         |
| No. cylinders             | 6                                  |         |
| Displacement              | Liquid                             | 7.01    |
| Bore*Stroke               | mm                                 | 105*135 |
| Compression ratio         | 16:1                               |         |
| Rated speed               | r/min                              | 1500    |
| Rated net power(with fan) | Kw                                 | 176     |
| Governor type             | Electrical                         |         |

### Exhaust system

|                   |           |                          |
|-------------------|-----------|--------------------------|
| Exhaust gas flow  |           | 34.9 m <sup>3</sup> /min |
| Exhaust gas temp  | ° F (° C) | <550                     |
| Max back pressure |           | 6.0 kPa                  |

### Aspiration system

|                    |       |      |
|--------------------|-------|------|
| Max inlet pressure | kPa   | ≤3.5 |
| Combustion volume  | L/s   | /    |
| Air flow           | L/sec | TBA  |

### Fuel system

|                        |     |      |
|------------------------|-----|------|
| 100% load(Prime power) | L/h | 45.8 |
| 75% load(Prime power)  | L/h | 34.7 |
| 50% load(Prime power)  | L/h | 23.1 |
| Fuel tank capacity     | L   | 360  |

### Lubrication system

|                        |       |      |
|------------------------|-------|------|
| Oil capacity           | L     | 18   |
| Oil consumption        | g/kwh | 28.3 |
| Oil pressure           | kPa   | 10   |
| (continuous operation) |       |      |

### Cooling system

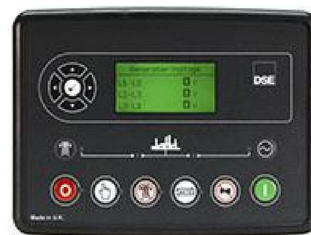
|                            |    |       |
|----------------------------|----|-------|
| Coolant capacity           | L  | 20.5  |
| Thermostat operation range | °C | 76-88 |
| Max water temperature      | °C | 98    |

### Alternator

|                    |                            |         |
|--------------------|----------------------------|---------|
| Model              | ON-200                     |         |
| Phase              | 3                          |         |
| Voltage            | V                          | 380~415 |
| Bearing            | 1                          |         |
| Power factor       | 0.8                        |         |
| Frequency          | Hz                         | 50      |
| Prime power        | KW                         | 160     |
| Exciter Type       | Brushless, self-excitation |         |
| Voltage regulation | %                          | ±1.0    |
| Protection Grade   | IP 23                      |         |
| Insulation grade   | H/H                        |         |
| Altitude           | m                          | ≤1000   |

### Controller

- Model
- Protective functions:
- Low oil pressure
  - High water temperature
  - High/low voltage
  - High Engine Temperature and Overspeed.
  - Voltage regulator frequency regulator
  - Emergency stop
  - Start failure



### Control Module Options



- Auto generator control module
- Control module with "Three Remote Control" functions
- ATS auto load transfer screen
- Synchronising control modules
- Power output cabinet

### Standard features

- Engine
- Radiator 50°C max, fans are driven by belt
- 24V charge alternator
- Alternator: single bearing alternator IP23, insulation class H/H
- Standard auto control system
- One set of air filter, fuel filter, oil filter
- Main line circuit breaker/MCCB
- Base fuel tank
- Two 24V batteries, rac and cable
- Exhaust system(Ripple flex exhaust pipe, exhaust siphon, flange, muffler)
- User manual

### Options

- Battery charge
- Engine heater
- Alternator heater
- PMG
- Water oil separator
- Daily fuel tank
- Remote control panel
- Automatic transfer switch/ATS
- Switch box
- Standard: ●                                  Options: ○

### Warranty

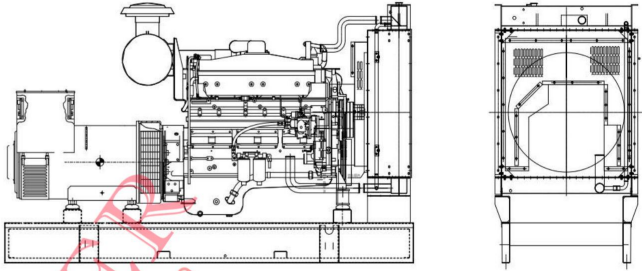
#### CUMMINS ENGINE

12 months from date of purchase and 1000 hours.

#### Generator

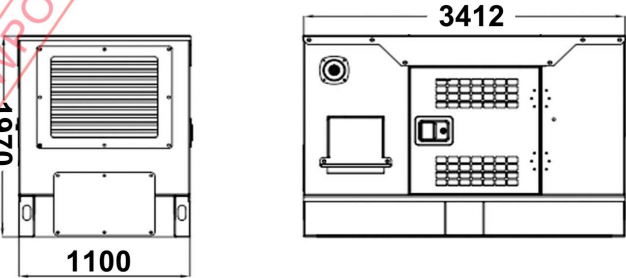
12 months from date of purchase or 1000 hours (whichever occurs first).

### Dimensions



**Open Type**

|        |    |                |
|--------|----|----------------|
| L*W*H  | mm | 2470*1100*1700 |
| WEIGHT | kg | 2250           |



**Silent Type**

|        |    |                |
|--------|----|----------------|
| L*W*H  | mm | 3412*1100*1970 |
| Weight | kg | 2750           |

## ONEWPOWER

ADD: NO . 1 0 7 XIYUAN ROAD , JINAN DISTRICT, FUZHOU CITY, FUJIAN, CHINA

Phone: 15980204507 E-mail: jina@onewpower.com

WWW.ONEWPOWER.COM

